

DUAL ACTUATOR HJA3+H39

● Function and technical data:

- 1、 The actuator is capable of moving the head and foot part individually as well as the same time.
- 2、 Can adjust to any required position
- 3、 Overload switch–thermal fuse to protect actuator(option)
- 4、 Use(9/18V battery)move the actuator to reset position during power off.
- 5、 Protection class:IP20
- 6、 Available power supply:110V–240V,50Hz/60Hz.
- 7、 Operation sound less than 50 decibel.
- 8、 Compatible with wireless remote control.

● Important!

- 1、 Actuator is only used for motorized bed
- 2、 Intermittent operation mode:2mins/18mins(after 2 minutes of operation, let the actuator rest for at least 18 mins). Avoid overload working, please don't let it work more than 2 minutes.
- 3、 The handset and mains plug must be connected correctly.
- 4、 Optimum working temperature: room temperature
- 5、 Max.load:6500N
- 6、 Don't use the actuator in moist environments
- 7、 Children are not allowed to use the actuator unless supervised by and adult
- 8、 The user should not take off the actuator, please contact local retailer to repair or replace the actuator if any problem.

Push power to comfortable life

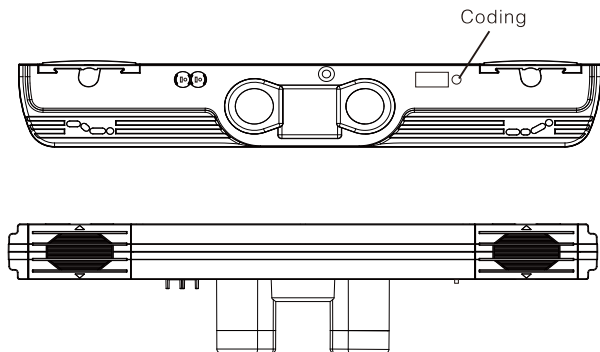


DUAL ACTUATOR HJA3+H39

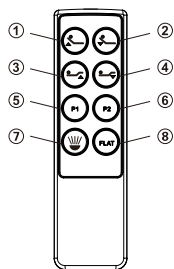


Actuator for electrical bed
Push power to comfortable life

DUAL ACTUATOR HJA3+H39



● Handset use instruction



① Head up

② Head down

③ Foot up

④ Foot down

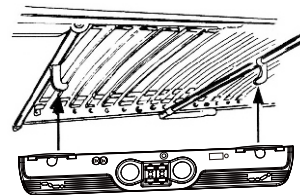
Push power to comfortable life

DUAL ACTUATOR HJA3+H39

- ⑤ Multiplex function: Keep pressing button 5 for 5 mins, the handset memory the first position for head and foot part. When pressing this button 5 mins less and then release button, the head and foot motor will go back to their first memory position.
- ⑥ Multiplex function: Keep pressing button 6 for 5 mins, the handset memory the second position for head and foot part. When pressing this button 5 mins less and then release button, the head and foot motor will go back to their second memory position.
- ⑦ Press button 7, the torch is on; release button, the torch is off.
- ⑧ Button 8 recover motor's reset position.

Coding : After charging HJA3, press button “②” “③” as the photo illustrated in page 2, during indicator 1 flashing, press reset button simultaneous; Coding finish after see indicator 2 flash three times. Release buttons, handset ready to use.

● Installation illustration



Installation Instruction

- 1、 Remove the actuator lids
- 2、 Fix the actuator to the appropriate position of the adjustable bed
- 3、 Place the lids back to the actuator

Push power to comfortable life